

NAVIGATE THE CATALOG BY SECTION

[1](#) [2](#) [3](#) [4](#) [5](#) [6](#) [7](#) [8](#) [9](#) [10](#) [11](#) [12](#) [13](#) [14](#) [15](#) [16](#) [17](#) [18](#) [19](#)



LAPP ONLINE CATALOG

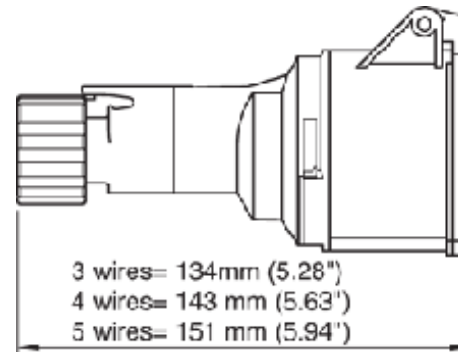
EPIC® Pin & Sleeve Connectors

30 Amp: North American Version

MULTIMAX Female Connector with Cable Sleeve



IP 44



TECHNICAL DATA

Impact Resistance:	8J
Ambient Temperature:	-25°C to 70°C
Flame Resistance:	
➤ Glow Wire Test: Enclosure:	850°C
➤ Glow Wire Test: Contact Enclosure:	850°C
➤ Self-Extinguishing: Enclosure:	UL94-V2
➤ Self-Extinguishing: Contact Carrier:	UL94-V2

PART NUMBERS

Part Number	Voltage	# of Wires	# of Poles	Ground-Clock Position
720224FX	125	3	1+N+PE	4
720226FX	250	3	2+PE	6
720227FX	480	3	2+PE	7
720223FX	250 DC	3	2+PE	3
721232FX	125/250	4	2+N+PE	12
720239FX	3Ø250	4	3+PE	9
720237FX	3Ø480	4	3+PE	7
720235FX	3Ø600	4	3+PE	5
720249FX	3ØY 120/208	5	3+N+PE	9
720247FX	3ØY 277/480	5	3+N+PE	7
720245FX	3ØY 347/600	5	3+N+PE	5
720242FX	50-250 (500 Hz)	5	3+N+PE	2

MATING COMPONENTS

- [MULTIMAX Male Plug with Cable Sleeve, IP 44](#)
- [CEE Straight Male Plug with Cable Gland, IP 44](#)
- [CEE Angled 82° Male Inlet, IP 44](#)



DOWNLOAD PDF CATALOG PAGE

LAPP USA • LAPP CANADA • LAPP MEXICO
Headquarters: 29 Hanover Road, Florham Park, NJ 07932
800-774-3539 • FAX: 973-660-9330 • sales@lappusa.com